

PRODUCT INFORMATION PACKET

Model No: 143TTDR14049

Catalog No: K634A

1 HP General Purpose Motor, 3 phase, 1800 RPM, 230/460 V, 143TC Frame, ODP
Three Phase ODP Motors



Regal and Marathon are trademarks of Regal Beloit Corporation or one of its affiliated companies.
©2019 Regal Beloit Corporation, All Rights Reserved. MC017097E

REGAL

Nameplate Specifications

Output HP	1 Hp	Output KW	0.75 kW
Frequency	60 Hz	Voltage	230/460 V
Current	3.1/1.6 A	Speed	1750 rpm
Service Factor	1.15	Phase	3
Efficiency	82.5 %	Power Factor	77
Duty	Continuous	Insulation Class	F
Design Code	B	KVA Code	M
Frame	143TC	Enclosure	Drip Proof
Thermal Protection	No	Ambient Temperature	40 °C
Drive End Bearing Size	6205	Opp Drive End Bearing Size	6203
UL	Recognized	CSA	Y
CE	Y	IP Code	22

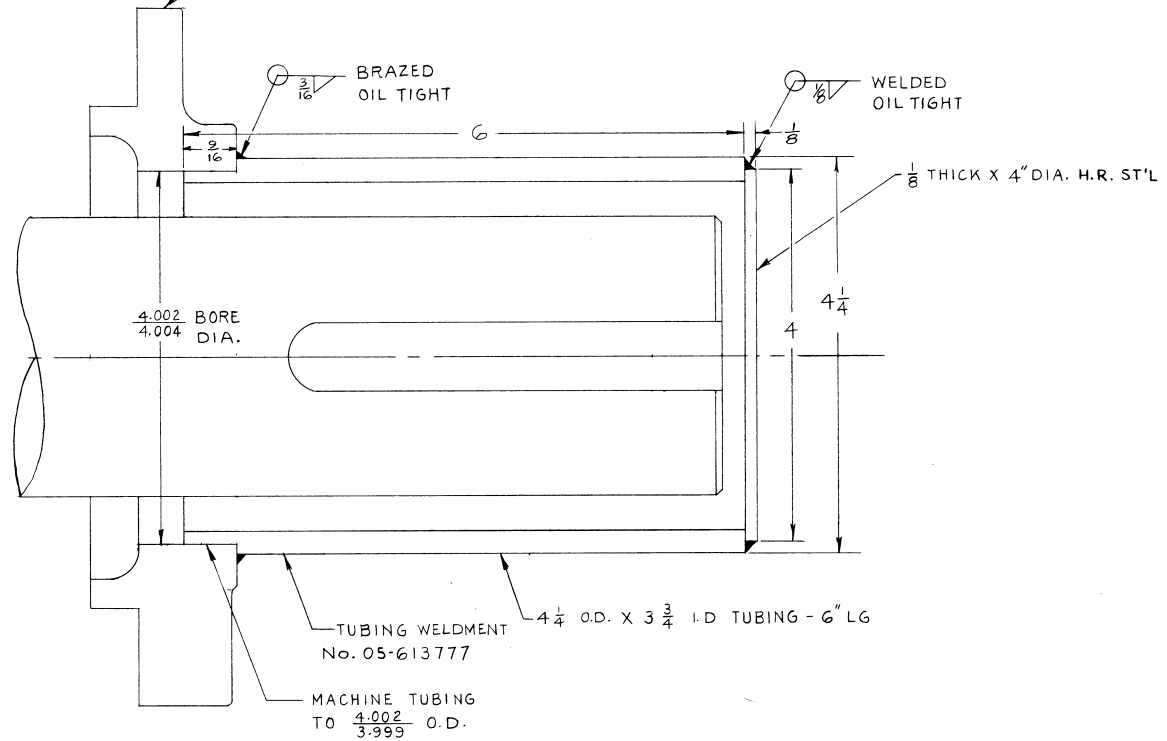
Technical Specifications

Electrical Type	Squirrel Cage Induction Run	Starting Method	Across The Line
Poles	4	Rotation	Reversible
Resistance Main	3.68 Ohms	Mounting	Round
Motor Orientation	Horizontal	Drive End Bearing	Ball
Opp Drive End Bearing	Ball	Frame Material	Rolled Steel
Shaft Type	T	Overall Length	12.49 in
Frame Length	8.56 in	Shaft Diameter	0.875 in
Shaft Extension	2.25 in	Assembly/Box Mounting	F1 Only

This is an uncontrolled document once printed or downloaded and is subject to change without notice. Date Created:01/11/2019

0702-HLD

DWG. No. 54-600410



NOTE: SHAFT GUARD — 0702-HLD-85-100097
 CONSISTS OF THE FOLLOWING PARTS :
 1-COVER-BRG-L.S.-OPEN-54-600410
 1-TUBING WELDMENT NO. 05-613777

LIMITS UNLESS NOTED	
FRACTIONAL DIMENSIONS	
BETWEEN FINISHED SURFACES	± .018
BETWEEN UNFINISHED SURFACES	± .080
BETWEEN FINISHED AND UNFINISHED SURFACES	± .080
BREAK ALL SHARP EDGES .018 MAX.	ANGLES 2 1/2°

SCALE: FULL	DATE
DRAWN BY <i>JM</i>	9-13-68
CHECKED BY <i>BT</i>	12-27-68
APPROVED BY	

GEAR PRODUCTS OPERATIONS
HEWITT-ROBINS
INCORPORATED
 A DIVISION OF LITTON INDUSTRIES

SHAFT GUARD — L.S.	DATE:
	0702-HLD
	85-100097

EE7308

THREE PHASE
DUAL VOLTAGE MOTOR



VIEW OF TERMINAL END

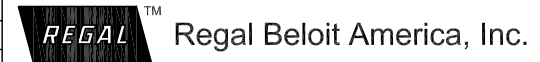
REF.
WINDING DIAGRAM

T8Y, T2Y, T2BL, T4BX, T2EC, T2G
T6BZ, T2B, T6BL, T4AV, T6B, T4B

OPTIONAL CORD
CONNECTION

L1 — WHITE
L2 — RED
L3 — BLACK

NO.	REVISION	BY & DATE	CHK	ANG	TOLERANCES UNLESS SPECIFIED		FINISH	DRAWING NO.	PAGE	OF	REV.		
					DEC.	INCHES							
5	CHG TO REGAL LOGO	SL 09/10/2015	AB					EE7308					
4	REVISED IEC NOTATIONS	MSG 11/15/2011	CMN	.X	±.1								
3	ADDED IEC NOTATIONS... (U1), (V1) ETC. MU95194	MSG 5/10/2010	MJS	.XX	±.02								
2	ADDED THE OPTIONAL CORD CONNECTION MU46318	RDH 04/24/2003	DRS	.XXX	±.005								
1	REDRAWN	RM 11/20/1990		.XXXX	±.0005								
					±7'30"								
THIS DRAWING IN DESIGN AND DETAIL IS OUR PROPERTY AND MUST NOT BE USED EXCEPT IN CONNECTION WITH OUR WORK ALL RIGHTS OF DESIGN AND INVENTION ARE RESERVED THIS IS AN ELECTRONICALLY GENERATED DOCUMENT - DO NOT SCALE THIS PRINT							RFP	CAD FILE ee7308	SIZE	DRAWING NO.	PAGE	OF	REV.
							DIST WP		A	EE7308			5



TITLE CONNECTION DIAGRAM
3Ø - DUAL VOLTAGE MOTOR

DRAWN RM 11/20/1990
CHK ML 11/21/1990
APPD SAS 04/24/2003
SCALE 1=1
REF
FMF
PREV